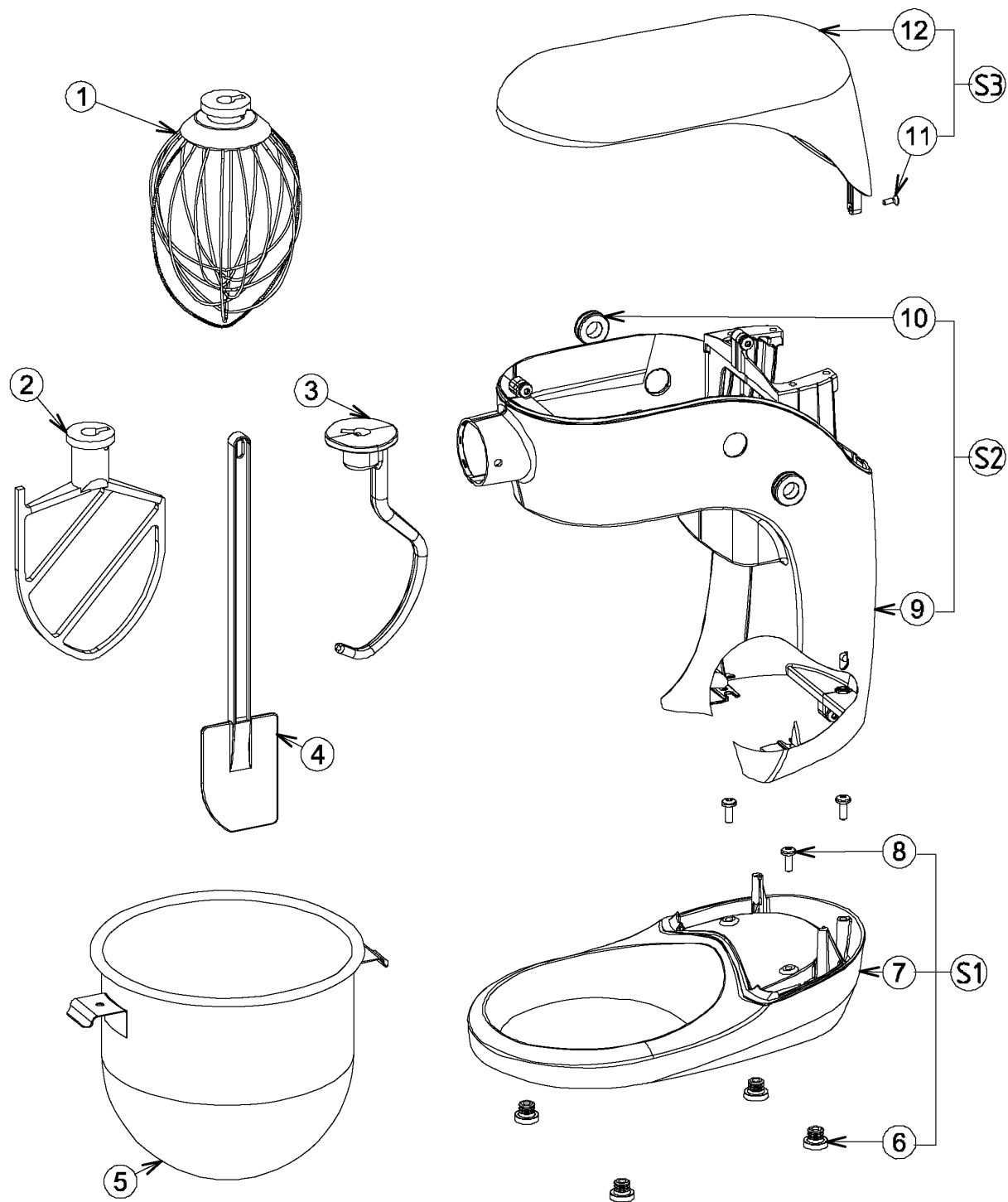


Sous-ensemble Structure / Structure sub assembly
Explosionszeichnung - Rahmen / Esploso - Struttura
Despiece - Estructura

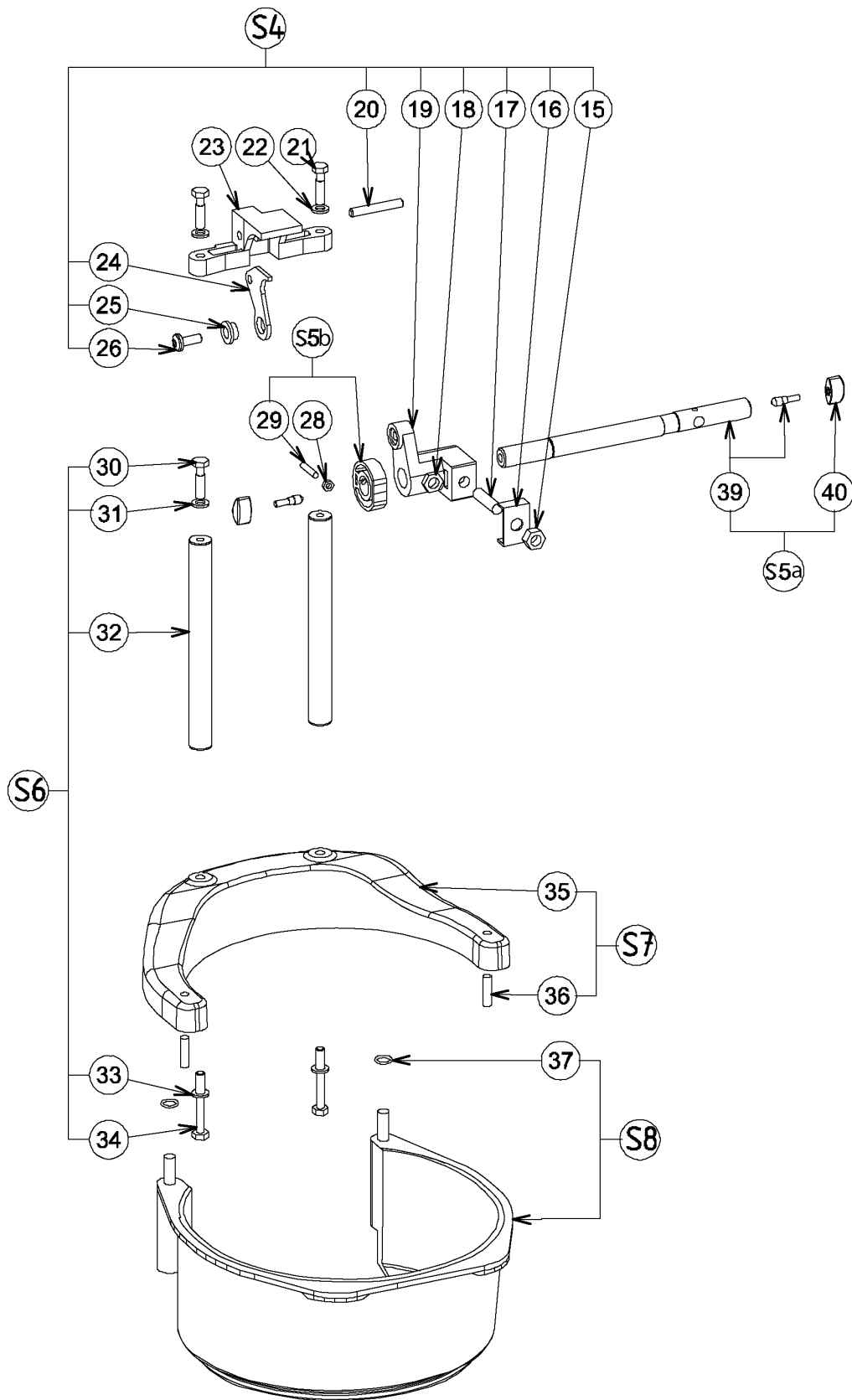


B

Ditomix 5 FR 09 04

??????	603254								
??????	SP XBE5	???????? 2	Structure sub assembly						
.		Alias		S			.		(Euro)
0001	653250		653757					WHISK FOR 5LT MIXER	
0002	653252		653756					PADDLE FOR 5LT MIXER	
0003	653286							FLAT DOUGH HOOK FOR 5LT MIXER	76,30
0004	653483							SPATULA FOR 5 LT PLANETARY MIXERS	15,46
0005	653508							STAINLESS STEEL BOWL 5LT FOR MIXER	192,00
0006	0D1609			S	A			RUBBER FOOT; 6 PCS	36,13
0007	0D3314							STAND RAL9007 XBE5	
0008	0D3333							TAPTITE SCREW TORX; SET 10PCS;M6X16	22,84
0009	000000							See S2	
0010	0D3334							GROMMET 14X20X3 XBE5 SET X2	37,56
0011	0D3335							SCREW PT WN K40/12 XBE5 SET X10	21,82
0012	0D5400		0D6182					HOOD; BLUE EUROMAT XBES	
0012	0D5946							HOOD; CAPLAIN EQ XBE5	
0012	0D6182			S					61,61
0012	0D7078								
00S1	0D3336							STAND ASSY XBE5	93,99
00S2	0D3337							CASING STD ASSY XBE5	125,90
00S3	0D6181								106,60
00S3	0D6182			S					61,61
00S3	0D7079			S				RED COVERING; EQUIPE	85,46

Sous ensemble Monte et Baisse / Bowl list sub assembly
 Explosionszeichnung - Hebe- und Senkvorrichtung _____



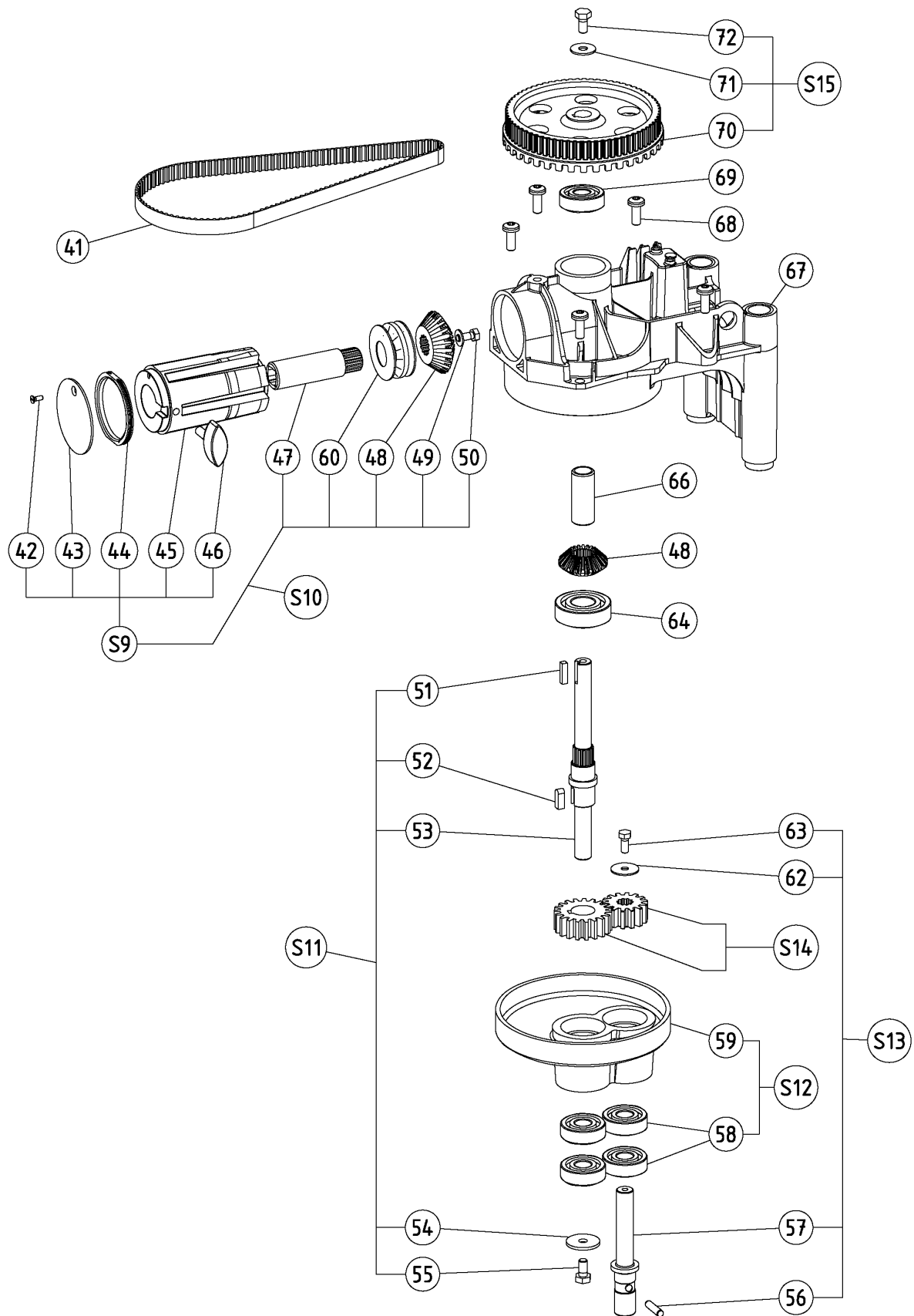
D

Ditomix 5 FR 09 04

??????	603254								
??????	SP XBE5	???????? 4							Bowl list sub assembly
.		Alias		S		.			(Euro)
0015	0KQ523								NUT; 10 PCS 18,90
0016	0D0084								B7 CAP
0017	0D0553								SCREW; 10 PCS
0018	0KQ523								NUT; 10 PCS 18,90
0019	0D0092								BE5 HANDLE 8,12
0020	0D0400								PIN; 10 PCS 23,45
0021	0D0595								SCREW; 10 PCS 20,71
0022	0U0652				D				WASHER; 10 PCS 19,11
0023	0KJ760								CROSS STAY BE5 SAMIX 7,11
0024	0D0090								SAMIX R LINK ROD 10,14
0025	0KQ331								BUSHING 3,59
0026	0D3333								TAPTITE SCREW TORX; SET 10PCS:M6X16 22,84
0028	0D0580								NUT; 10 PCS 19,54
0029	0KQ526								SCREW 19,64
0030	0D0595								SCREW; 10 PCS 20,71
0031	0U0652				D				WASHER; 10 PCS 19,11
0032	0D3306								PIN XBE5 13,07
0033	0D2878								WASHER SET CS L6 (X10) TR17 21,92
0034	0D0599								SCREW; 10 PCS 21,92
0035	0D3307		0D3348						SHOTBLASTED CRADLE XBE5
0036	0D1003								PIN; 5 PCS 25,27
0037	0D3344								O-RING 8X1.9 SET X10 18,80
0039	0D3501				D				GUARD PIN SEMI FITTED XBE5 48,42
0040	0D3343				S				BUTTON M4-8252 XBE5 SET X2 37,15
00S4	0D3345				D				LINK ROD CRANK HANDLE ASSY XBE5 78,16
00S6	0D3347								PIN ASSY XBE5 SET X2 58,06
00S7	0D3348								CRADLE ASSY XBE5 72,88
00S8	0KJ767								SAFETY GUARD 64,35
0S5a	0D3346								GUARD PIN ASSY XBE5 67,60
0S5b	0D0868								SAFETY SWITCH + CAM 30,86

Sous-ensemble Mécanique / Mechanical sub assembly

Explosionszeichnung - Antrieb



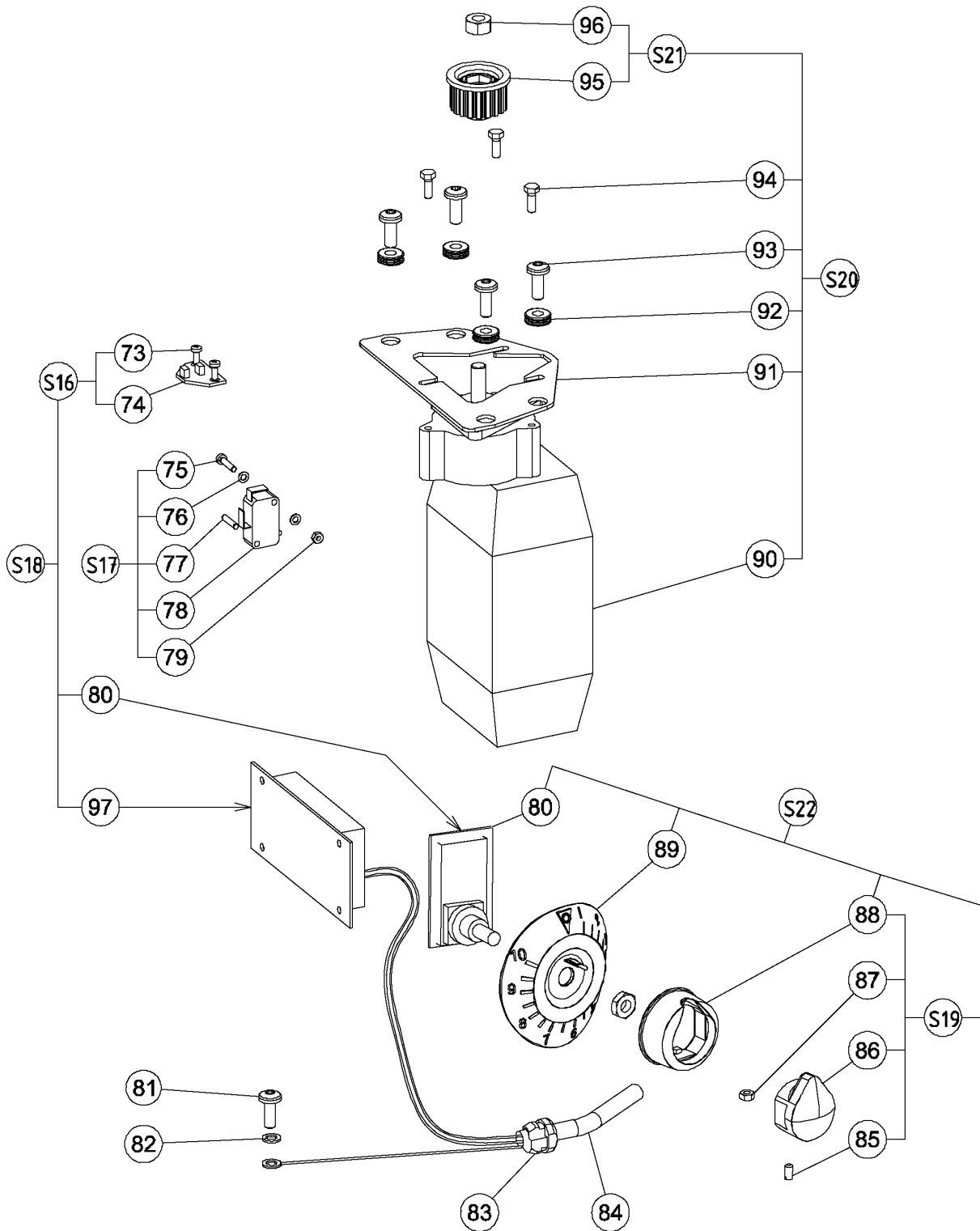
H

Ditomix 5 FR 03 08

??????	603254								
??????	SP XBE5	???????? 8					Mechanical sub assembly		
.		Alias		S			.		(Euro)
0041	0D3305			S	A			NOTCHED BELT 230XL050	9,70
0042	0D0938							SCREW; 10 PCS	19,54
0043	0D5947							COVERING; OPERCULE MICROBILLE XBE5	18,90
0044	0D3299							ACCSSRY SOCKT SEAL XBE5	4,20
0045	0D5160							ACCESSRY SOCKET SLEEVE XBE5	58,57
0046	0D3313				D			BUTTON CT476/30S P M6X20 108364	33,09
0047	0D3312				D			ACCSSRY SOCKT SHAFT TYPE K XBE5	21,11
0048	0KQ421			S	A			BEVEL GEAR SAMIX R	35,83
0049	0D0546							WASHER; 10 PCS	18,17
0050	0D0537							SCREW; 10 PCS	19,22
0051	0D0552			S				SPANNER; 4X4X16; SET 5PCS	19,33
0052	0D0635							WASHER 5X5X14	19,85
0053	0D3303							SUN GEAR SHAFT XBE5	27,30
0054	0D0620							BM10 WASHER 24X6.2X2; 10 PCS	44,86
0055	0KQ494							SCREW; 10 PCS	20,27
0056	0D0396							PIN; 10 PCS	27,91
0057	0D1830								26,80
0058	0D5346		0D7113					BEARING; 6201 DDU BE5	
0059	0D3315				D			SHOTBLASTED PLANETARY XBE5	38,87
0060	0D6458							BUTEE A AIGUILLES; 17-30	19,74
0062	0D0501							WASHER; 10 PCS	19,54
0063	0D0537							SCREW; 10 PCS	19,22
0064	0D5458		0KJ007					BEARING; 6203 DDU	
0066	0D3304							ACCSSRY SOCKT SPACER XBE5	4,58
0067	0D3294			S				MECHANICAL SUPPORT XBE5	56,03
0068	0D3333							TAPTITE SCREW TORX; SET 10PCS:M6X16	22,84
0069	0D5346		0D7113					BEARING; 6201 DDU BE5	
0070	0D1831		0KQ582						
0071	0D0513							WASHER; 10 PCS	18,58
0072	0KQ494							SCREW; 10 PCS	20,27
00S9	0D3349							ACCSSRY SOCKT BARREL ASSY XBE5	71,76
0S10	0D3350							ACCSSRY SOCKT K ASSY XBE5	112,70
0S11	0D3351							SUN GEAR SHAFT ASSY XBE5	61,20
0S12	0D3352			S				PLANETARY ASSY XBE5	105,60
0S13	0D0341			S				BE5 TOOL HOLDER SHAFT ASSY.	57,45
0S14	0D0871			S	A			PLANETARY PINION; KIT; SAMIX R	38,27

??????	603254								
??????	SP XBE5	???????? 8					Mechanical sub assembly		
.		Alias		S			.		
0S15	0KQ582			S			DRIVEN PULLEY WITH SCREW BE5		(Euro) 38,67

Sous ensemble électrique - Electrical sub assembly / Explosionszeichnung Elektrik



L

Ditomix 5 FR 09 04

??????	603254								
??????	SP XBE5	????????	12				Electrical sub assembly		
.		Alias		S			.		(Euro)
0073	0D2918						SCREW PT WN 1442 K30/8 (SET X10)		21,42
0074	0D3318						SPEED READER XBE5		9,34
0075	0KQ511						SCREW; 10 PCS		18,37
0076	0D2877						WASHER GALVA STL3 SET X10		17,92
0077	0KQ479			S			PEG; 10 PCS		22,43
0078	000000							See S17	
0079	033987						SCREW; 10 PCS		18,27
0080	0D5161			S			POWER BOARD		78,56
0081	0D3333						TAPTITE SCREW TORX; SET 10PCS;M6X16		22,84
0082	0D0530						WASHER; 10 PCS		18,17
0083	0D3566						GROMMET SR 6P3 4 (SET X5)		25,48
0084	0D3310			S			CABLE H05 LG1700 + PLUG 2P +E		10,24
0084	0D5948				D		CORD WITH PLUG; UK + COSSE XBE5		27,30
0084	0D5949				D		CORD WITH PLUG; USA + COSSE XBE5		25,07
0085	0KQ526						SCREW		19,64
0086	0D1611			S			KNOB; POTENTIOMETER		3,59
0087	0KL159						NUT; 10 PCS		18,37
0088	0D3298			S			BUTTON CLADDING UNIVERSEL		5,04
0089	0D3300						POTENTIOMETER BASE XBE5		3,74
0090	0D3411		0D7271				MOTOR; 230V 50HZ; XBE55		
0090	0D5403				D		MOTOR; 100V USA/JAPON XBE5		
0091	0D3302						MOTOR SUPPORT XBE5		5,49
0092	0D3410						GROMMET 7X10X1.4 XBE5 SET X4		35,63
0093	0D3333						TAPTITE SCREW TORX; SET 10PCS;M6X16		22,84
0094	0D3027						TAPTITE SCREW H M4X12 (SET X 10)		20,26
0095	0D2523			S			DRIVE PULLEY 19 TEETH ECO/ XBE5		3,36
0096	0D0642						NUT; 10 PCS		19,85
0097	0D3317			S			POWER CARD; XBE5		69,43
0S16	0D3407				A		SPEED READER ASSY XBE5		38,47
0S17	0D0868						SAFETY SWITCH + CAM		30,86
0S18	0D1603			S	A		PCB; ASS.		150,20
0S19	0D1610			S			KNOB; COMPL.		36,74
0S20	0D3409			S			MOTOR; 200-240V; XBE5		165,40
0S20	0D3530				D		COMPLETE MOTOR 100-120V XBE5		
0S21	0D0862						SAMIX R DRIVE PULLEY ASSY.		26,59
0S22	0D3594			S	A		POTENTIOMETER + BUTTON ASSY XBE5		71,05